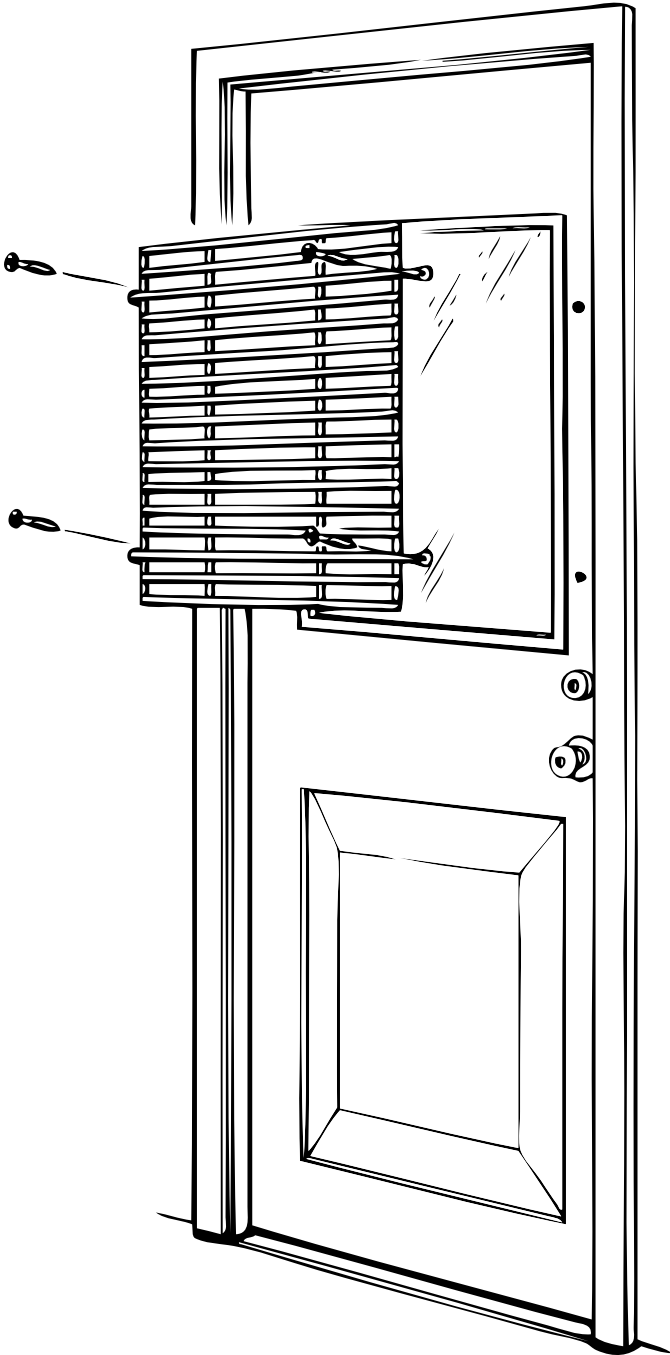


# MR. GOODBAR®

## The Original Home Security Bars

### BACK DOOR GRILLE INSTALL INSTRUCTIONS

TOOLS REQUIRED: 1/4" drill bit, Pencil



1. Position grille on either the outside or inside surface of the door, centred over the window opening. Mark position of feet for drilling.
2. Drill four 1/4" (6.35 mm) holes through the door where marked.
3. Insert carriage head bolts from the outside surface of the door.
4. Place washers on bolts, then secure with wingnuts.